

Evans 90 Series

“Full Bore” Mini-ball Valve

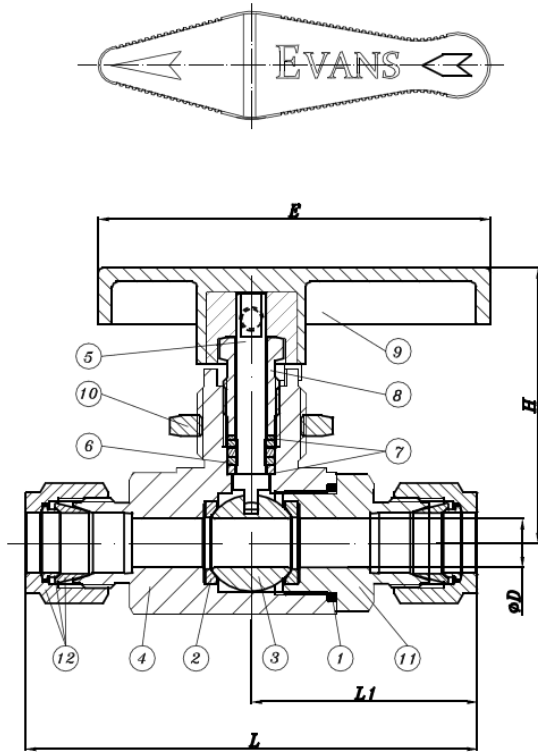


Features

- CFOS Cleaned
- Full bore design “all sizes”
- Size range 1/4” thru 1”
- Helium leak rated to 1×10^{-7} scc/sec
- Maximum pressure rated to 2000 psig/138 bar
- Low cost cast body design

 **EVANS**
COMPONENTS, INC.[®]

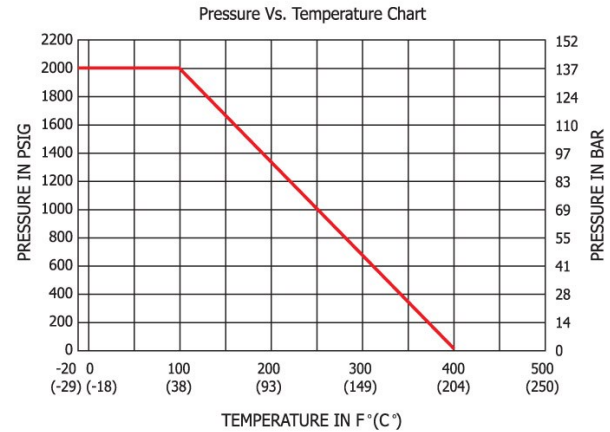
Drawings & Specifications



Materials List

NO.	PART NAME	QTY	MATERIAL
1	Connector O-ring	1	PTFE
2	Seat	2	TFM 1600
3	Ball	1	316 Stainless Steel
4	Body	1	ASTM A 351 Grade CF8M
5	Stem	1	ASTM A 276 TYPE 316
6	Stem Seal	1	PTFE
7	Stem Washer	2	316 Stainless Steel
8	Packing Nut	1	ASTM A 276 TYPE 316
9	Handle	1	Glass reinforced nylon
10	Handle Set Screw	1	Stainless Steel
11	Panel Nut	1	ASTM A 351 Grade CF8M
12	End Connector	1	ASTM A 351 Grade CF8M

SIZE	PART NUMBER	ORIFICE	CV	L	L1	H	ID	E
1/4" 6.35	SS-93S4	0.18 4.6	1.1	2.73 69.3	1.36 34.65	1.28 32.5	0.19 4.8	1.91 48.5
3/8" 9.53	SS-94S6	0.28 7.1	2.8	3.13 79.5	1.59 40.3	1.83 46.4	0.28 7.2	2.62 66.5
1/2" 12.7	SS-95S8	0.41 10.3	19	3.78 96.1	1.89 48.05	2.30 58.5	0.41 10.3	3.28 83.4
3/4" 19.05	SS-95S12RP	0.41 10.3	19	3.78 96.1	1.89 48.05	2.30 58.5	0.41 10.3	3.28 83.4
3/4" 19.05	SS-96S12	0.62 15.75	35	4.03 102.3	2.10 51.15	2.46 62.4	0.63 15.9	3.28 83.4
1" 25.4	SS-97S16	0.87 22.1	50	4.83 122.8	2.42 61.4	2.59 65.8	0.87 22.1	3.96 100.5



Evans Components, Inc.

7606 Bridgeport Road
Portland, Oregon 97224

Phone: 971-249-1600

Fax: 971-249-1601

NOTE: Product availability and specifications contained herein are subject to change without notice. Consult local

07/15



NEW 1" Full Bore Valve

Optional Colored Handle Designator
(Leave Blank for Standard Black Handle)

B - Blue	W - White
G - Green	Y - Yellow
R - Red	I - Pink